

Surface  
**SMT**  
Mount

# 2mm HEADER TMM SERIES

## SPECIFICATIONS

For complete specifications and recommended PCB layouts see [www.samtec.com](http://www.samtec.com)?TMM

**Insulator Material:**  
Black Liquid Crystal Polymer



**Terminal Material:**  
Phosphor Bronze



**Plating:**  
Sn or Au over 50µ" (1,27µm) Ni

**Operating Temp Range:**  
-55°C to +105°C with Tin;  
-55°C to +125°C with Gold

**Voltage Rating:**  
500 VAC mated with SQW  
450 VAC mated with SQT

**RoHS Compliant:**  
Yes

**Mates with:**  
CLT, SQT, SQW, ESQT,  
TLE, SMM, MMS, TCSD

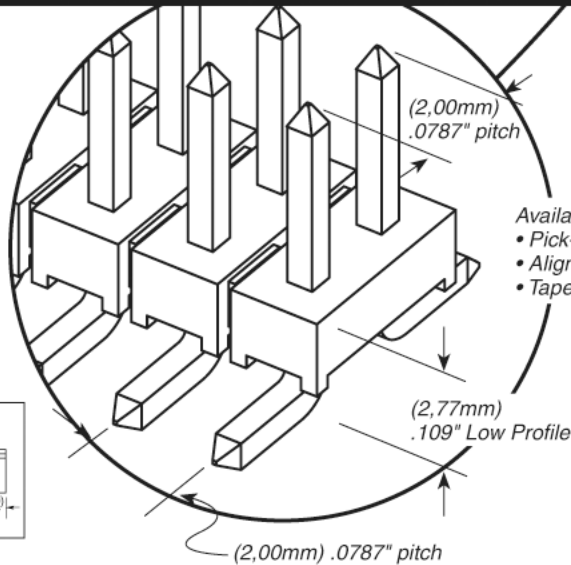
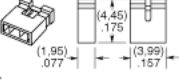
## ALSO AVAILABLE

**Through Hole**



## 2mm Shunt

Specify **2SN-BK-G** for 2mm shunt with Gold plating.



Available with optional  
• Pick-and-place pads  
• Alignment pins  
• Tape & reel packaging

CURRENT RATING		
AMBIENT TEMP	Mated with	
	SQT	CLT
20°C	5.5A	3.7A
40°C	5A	3.3A
60°C	4A	2.9A
80°C	3A	2.4A

## Processing:

**Max Processing Temp:**  
230°C for 60 seconds, or  
260°C for 20 seconds 3x

**Lead-Free Solderable:**  
Yes

**SMT Lead Coplanarity:**  
(0,15mm) .006" max

**TMM** - **1** NO. PINS PER ROW - **LEAD STYLE** - **PLATING OPTION** - **ROW OPTION** - **SM** - **OTHER OPTION**

**02 thru 40** - **Specify LEAD STYLE from chart below.** - **-L** = 10µ" (0,25µm) Gold on contact area, Matte Tin on tail - **-S** = Single Row - **-D** = Double Row - **-“XXX”** = Polarized Position Specify position of omitted pin

LEAD STYLE	A	MATES WITH
-01	(3,20) .126	SQT, SQW, ESQT, TLE, SMM, MMS, TCSD
-04	(1,91) .075	
-05	(1,65) .065	CLT
-06	(4,27) .168	CLT-BE

**-G** = 20µ" (0,51µm) Gold on contact area Gold flash on tail  
**-T** = Matte Tin  
**-S** = 30µ" (0,76µm) Gold on contact area, Matte Tin on tail

**-A** = Alignment Pin (Metal or plastic at Samtec's discretion) (5 positions minimum) (-D only)  
**-M** = Metal Pick & Place Pad (4 positions minimum) (-D only)  
**-P** = Pick & Place Pad (3 positions minimum)  
**-TR** = Tape & Reel Pkg. (3 positions minimum)



**Note:**  
Some lengths, styles and options are non-standard, non-returnable.

Due to technical progress, all designs, specifications and components are subject to change without notice.

[WWW.SAMTEC.COM](http://WWW.SAMTEC.COM)