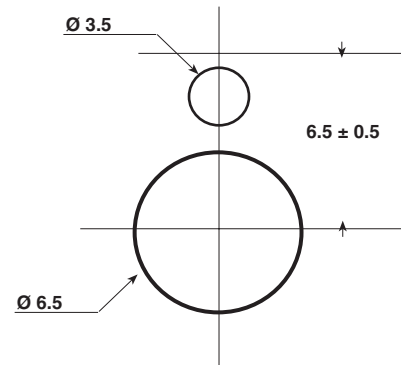
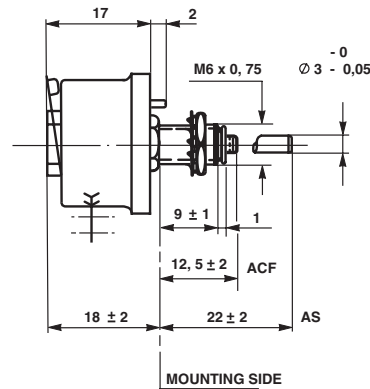
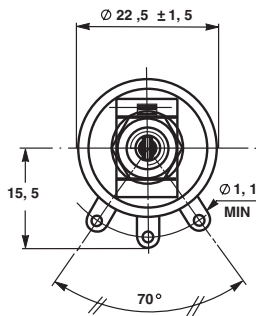


## Wirewound Rheostat/Potentiometer


**FEATURES**

- 12 Watt at 25°C
- CCTU 05-03B (PA9)
- Vitreous RT12

**DIMENSIONS** in millimeters

**RT12-PA9**
**PANEL CUT OUT DETAILS**

**MECHANICAL SPECIFICATIONS**

Mechanical Protection	RT12 vitreous
Mechanical Travel	290° + 15° - 10°
Operating Torque	1 to 10 Ncm
End Stop Torque	25 Ncm
Unit Weight	18.3 g

**ENVIRONMENTAL SPECIFICATIONS**

Temperature Range	RT12 - 55°C + 320°C
Climatic Category	CCTU 454
	CEI 55 / 200 / 56

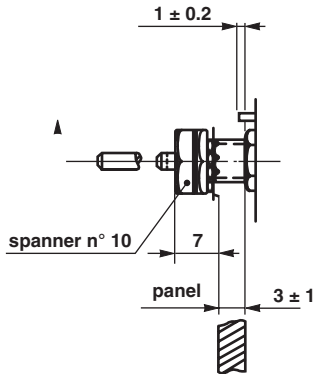
**ELECTRICAL SPECIFICATIONS**

ELECTRICAL SPECIFICATIONS	
Ohmic Range	RT12 1Ω to 2.2kΩ
Tolerance Standard	± 10%
Power Rating	12 W at 25°C
Variation Law	linear
Limiting Element Voltage	300V
Dielectric Strength	1000VRMS
Insulation Resistance	10 <sup>3</sup> MΩ(500Vcc)

The spindle locking device can be fitted only to special units equipped with a slotted bushing.

Order reference : B.

**LOCKING DEVICE**



**PARTICULAR CHARACTERISTICS**

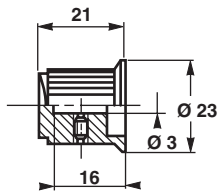
NOMINAL RESISTANCE Ω	MAX. SERVICE VOLTAGE V	MAX. CURRENT THROUGH WIPER mA
1	3.46	3460
1.5	4.24	2830
2.2	5.14	2340
3.3	6.29	1910
4.7	7.51	1600
6.8	9.03	1330
10	11	1100
15	13.4	900
22	16.3	740
33	19.9	603
47	23.7	505
68	28.6	420
100	34.6	346
150	42.4	283
220	51.4	234
330	62.9	191
470	75.1	160
680	90.3	133
1 k	110	110
1.5 k	134	90
2.2 k	163	74

**SPINDLES**

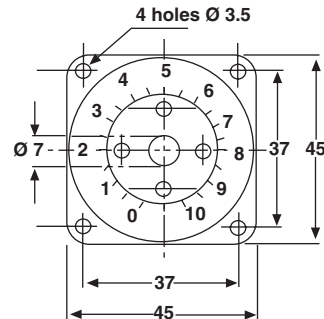
Ø mm	DISTANCE TO MOUNTING PLATE MM	SCREW DRIVER SLOT	CODE
3	12.5	WITH	ACF
3	22	WITHOUT	AS

For any special requirement on request : spindle flats, etc. Please supply detailed drawing.

**COMMAND KNOB : 20JF (OPTION)**



**DIAL : CG45 (OPTION)**



**MARKING**

SFERNICE trademark, series, style, ohmic value in Ω or kΩ, tolerance in %, maximum current in A, manufacturing date

**ORDERING INFORMATION**

VITREOUS	RT	12	L			AS	1.5K	± 10%
	SERIES	STYLE	SPINDLE LOCKING DEVICE	VARIATION LAW	SPECIAL DESIGN	WINDING	SPINDLE (Code)	OHMIC VALUE
			Optional		Method N° Optional	Optional	for special spindles please supply detailed drawing	TOLERANCE
<b>OPTIONS</b>	<b>ACC</b>	<b>20JF</b>	<b>CG45</b>	<b>XXX</b>				
	MODEL	KNOB	DIAL	OTHER SPECIAL REQUIREMENTS				



## Notice

Specifications of the products displayed herein are subject to change without notice. Vishay Intertechnology, Inc., or anyone on its behalf, assumes no responsibility or liability for any errors or inaccuracies.

Information contained herein is intended to provide a product description only. No license, express or implied, by estoppel or otherwise, to any intellectual property rights is granted by this document. Except as provided in Vishay's terms and conditions of sale for such products, Vishay assumes no liability whatsoever, and disclaims any express or implied warranty, relating to sale and/or use of Vishay products including liability or warranties relating to fitness for a particular purpose, merchantability, or infringement of any patent, copyright, or other intellectual property right.

The products shown herein are not designed for use in medical, life-saving, or life-sustaining applications. Customers using or selling these products for use in such applications do so at their own risk and agree to fully indemnify Vishay for any damages resulting from such improper use or sale.