

FIG. 1

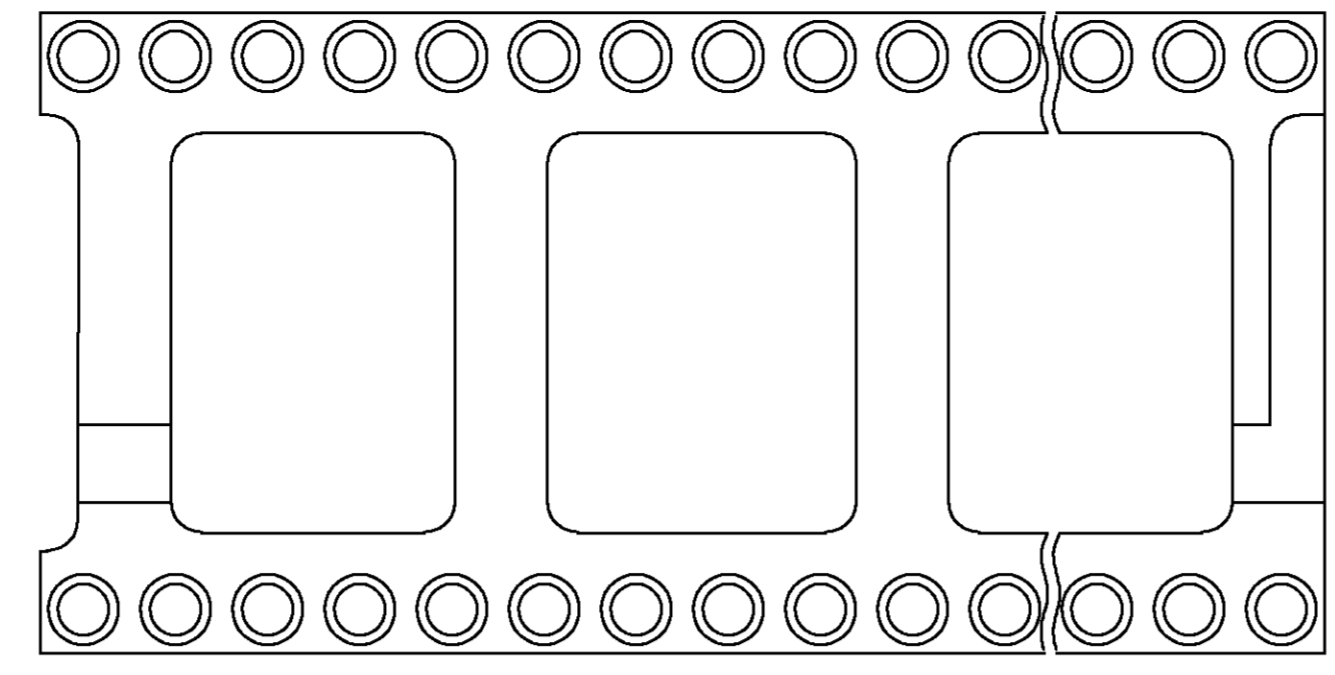


FIG. 2

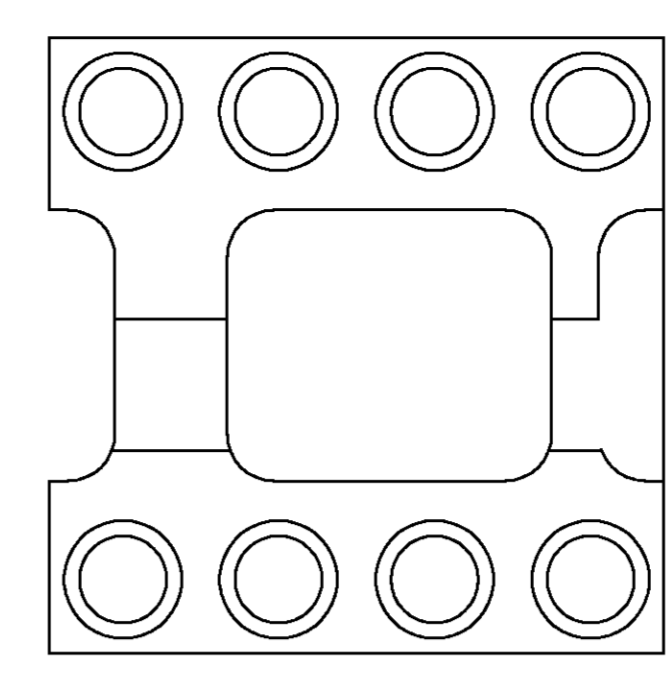
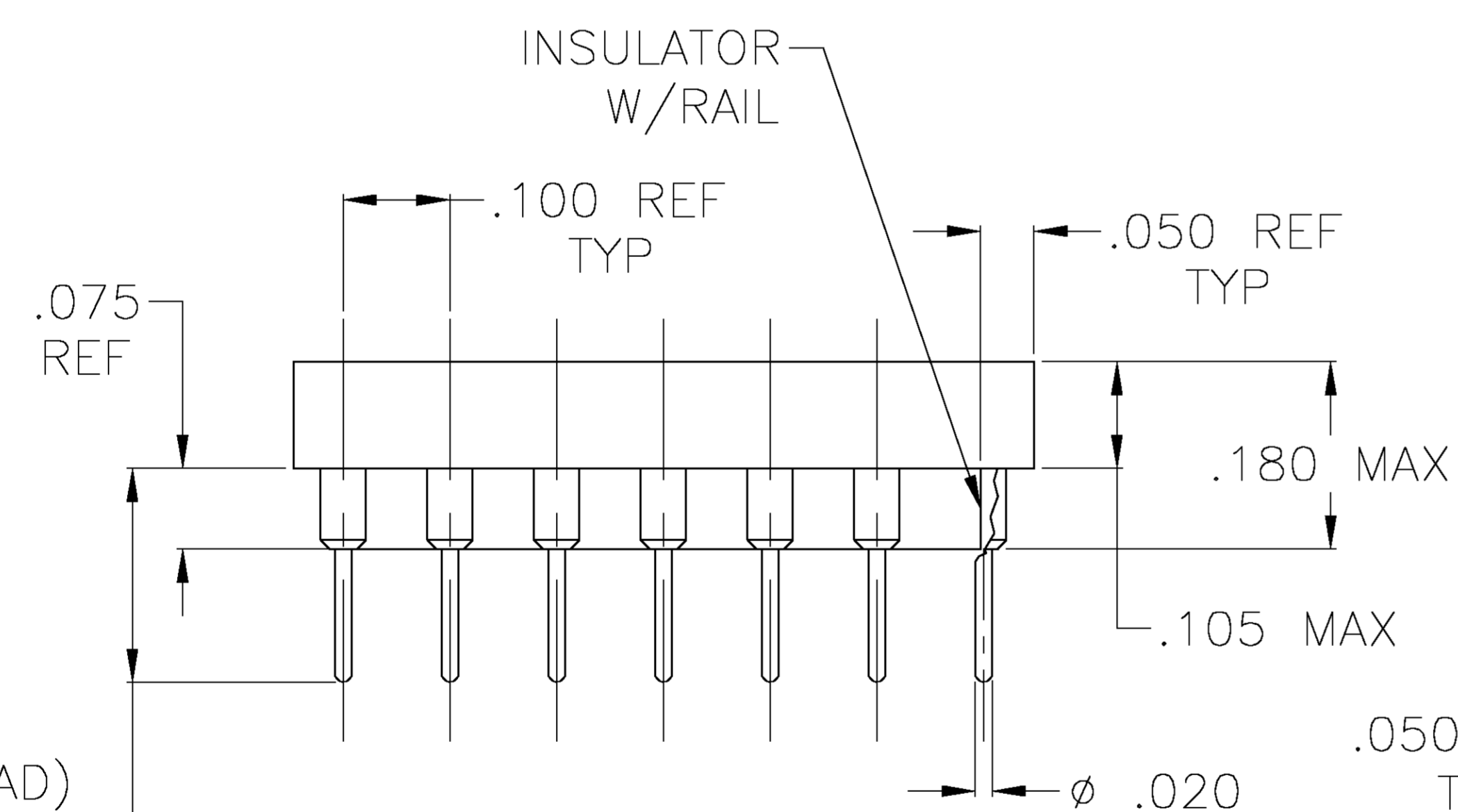
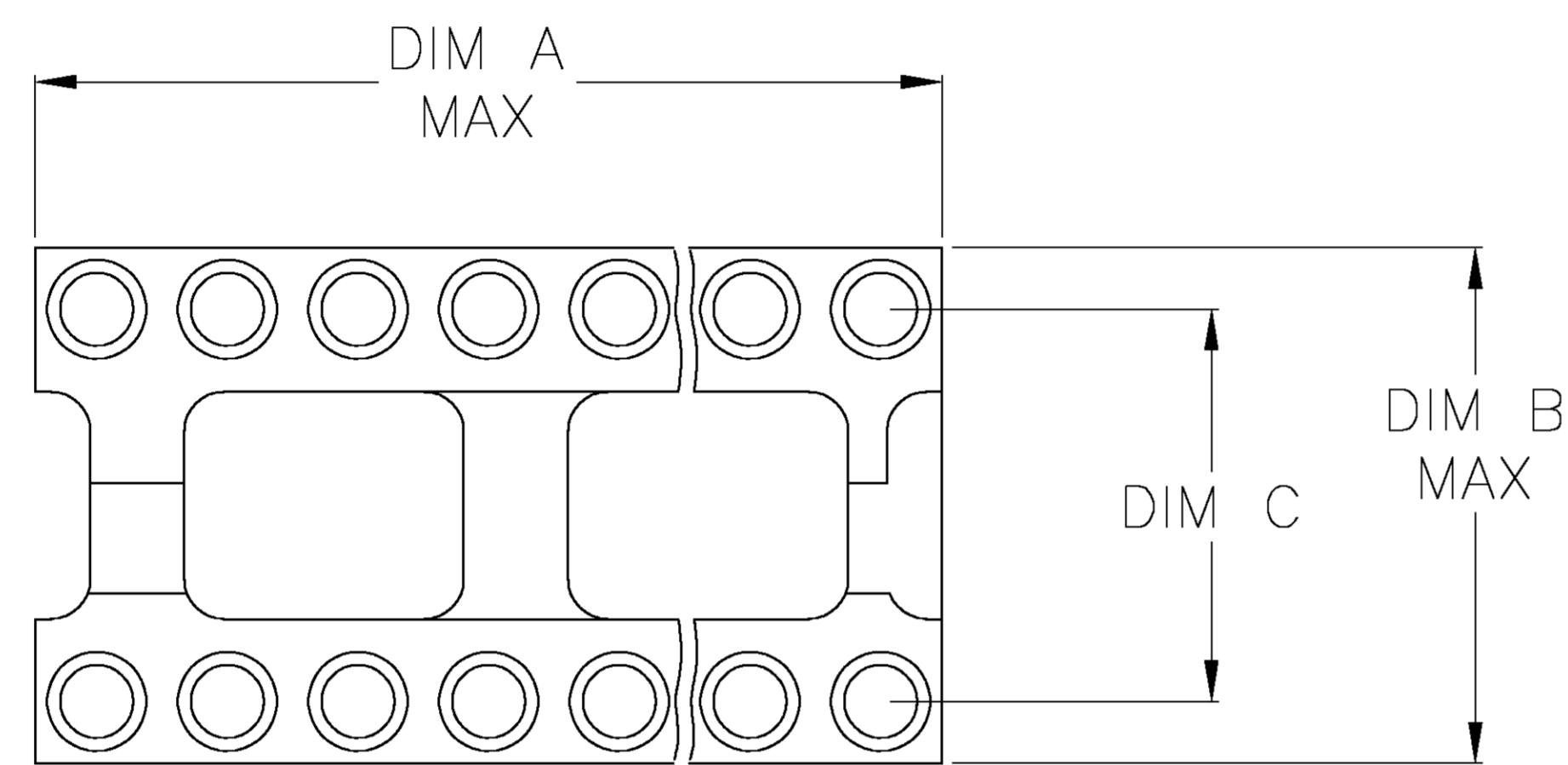
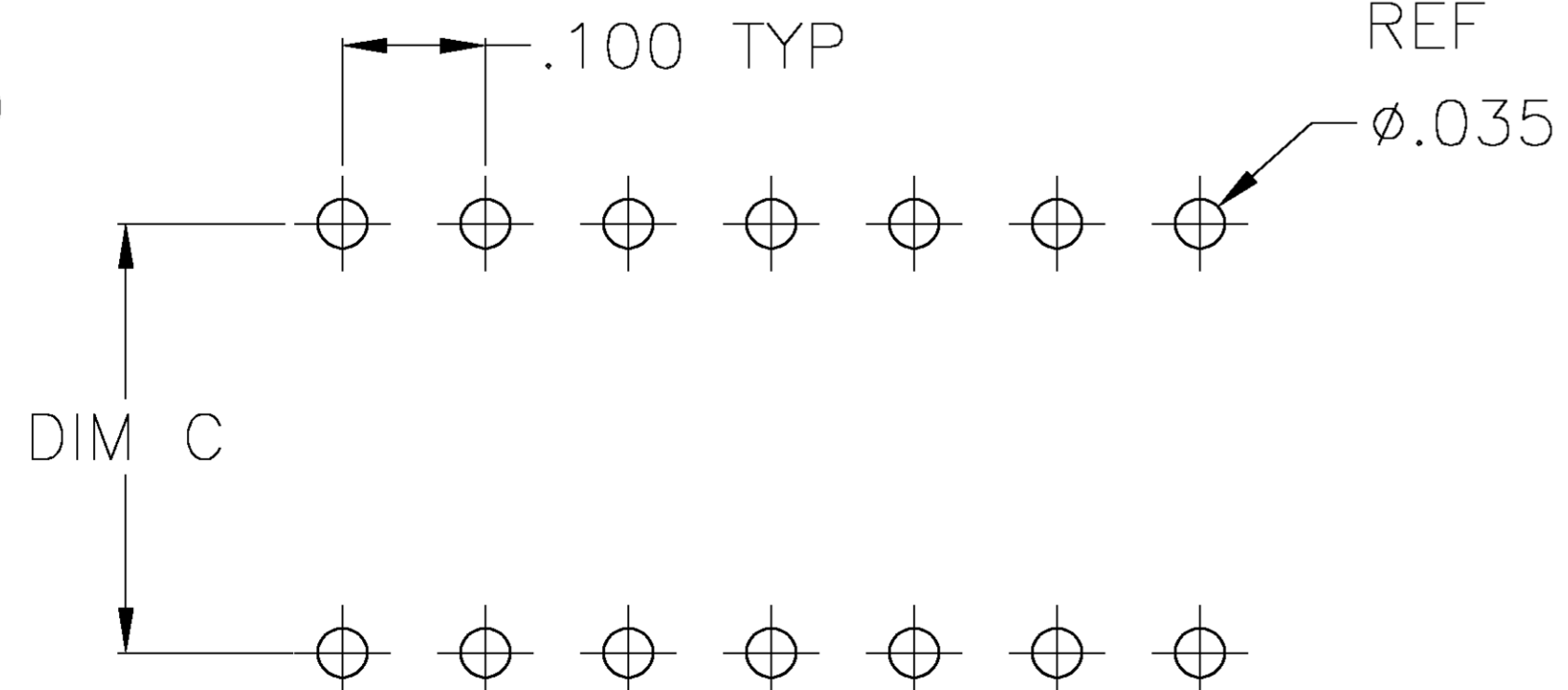


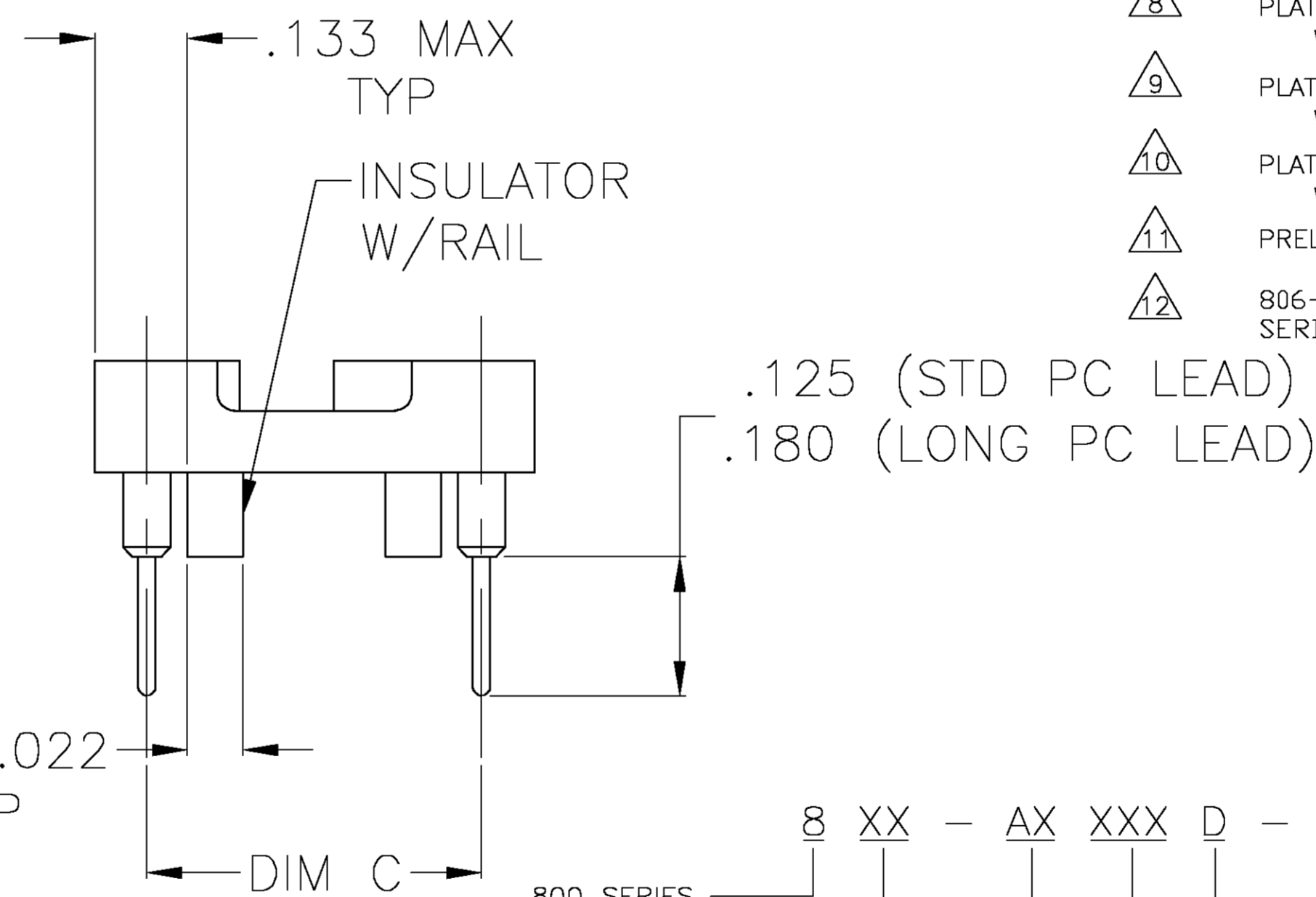
FIG. 3  
(8 POS ONLY)



.210/.180  
(STD .125 PC LEAD)  
.265/.235  
(LONG .180 PC LEAD)



P.C.B. HOLE LAYOUT  
TOLERANCE  $\pm .003$



800 SERIES  
POSITIONS 8 XX - AX XXX D - XXX

1 MATERIALS:  
 INSULATOR: POLYESTER, UL RATED 94V-0  
 CONTACT:  
 800 & 1800 SERIES CONTACT: 4 BEAM, COPPER ALLOY, MACHINED (PREMIUM VERSION) OR FORMED (ECONOMY VERSION, WITH SUFFIX -ES OR -ESL).  
 800 SERIES HIGH RETENTION CONTACT: 4 BEAM, COPPER ALLOY, MACHINED.  
 1000 SERIES CONTACT: 6 BEAM, COPPER ALLOY, MACHINED (LOW INSERTION FORCE SERIES)  
 SLEEVE- ALL SERIES: COPPER ALLOY, FORMED

2 ELECTRICAL:  
 CONTACT RESISTANCE: 10 MILLIOHMS MAX  
 CONTACT RATING: 3 AMPS  
 CAPACITANCE: 1.0 pF PER MIL-STD-202, METHOD 305  
 INSULATION RESISTANCE: 5000 OHMS MIN @ 500 VDC PER MIL-STD-1344, METHOD 3003.1  
 DIELECTRIC WITHSTANDING VOLTAGE: 1000 VOLTS (RMS) PER MIL-STD-1344, METHOD 3001.1

3 MECHANICAL:  
 AFTER INSERTION FORCE: 37 GRAMS AVG (6 BEAM CONTACT) 134 GRAMS AVG (4 BEAM PREMIUM) 179 GRAMS AVG (4 BEAM ECONOMY) AND 334 GRAMS AVG (HIGH RETENTION)  
 AFTER WITHDRAWAL FORCE: 15 GRAMS AVG (6 BEAM CONTACT) 63 GRAMS AVG (4 BEAM PREMIUM OR ECONOMY) AND 245 GRAMS AVG (HIGH RETENTION)

4 ENVIRONMENTAL:  
 OPERATING TEMPERATURE: -55°C TO -105°C

5 PLATING: 25 $\mu$  MIN GOLD OVER 50 $\mu$  MIN NICKEL CONTACT WITH 5 $\mu$  MIN GOLD OVER 50 $\mu$  MIN NICKEL SLEEVE.

6 PLATING: 25 $\mu$  MIN GOLD OVER 50 $\mu$  MIN NICKEL CONTACT WITH 80 $\mu$  MIN TIN-LEAD OVER 50 $\mu$  MIN COPPER SLEEVE.

7 PLATING: 80 $\mu$  MIN TIN-LEAD OVER 75 $\mu$  MIN COPPER CONTACT WITH 180 $\mu$  MIN TIN-LEAD OVER 75 $\mu$  MIN NICKEL SLEEVE.

8 PLATING: 5 $\mu$  MIN GOLD FLASH OVER 50 $\mu$  MIN NICKEL CONTACT WITH 5 $\mu$  MIN GOLD FLASH OVER 50 $\mu$  MIN NICKEL SLEEVE.

9 PLATING: 5 $\mu$  MIN GOLD FLASH OVER 50 $\mu$  MIN NICKEL CONTACT WITH 80 $\mu$  MIN TIN-LEAD OVER 50 $\mu$  MIN COPPER SLEEVE.

10 PLATING: 7.5 $\mu$  MIN GOLD OVER 50 $\mu$  MIN NICKEL CONTACT WITH 80 $\mu$  MIN TIN-LEAD OVER 50 $\mu$  MIN COPPER SLEEVE.

11 PRELIMINARY PART - NOT RELEASED FOR PRODUCTION.

12 806-AGXXD-XXX SERIES IS SUPERSEDED BY 506-AGXXD-XXX SERIES (REFER TO CUSTOMER DRAWING 1437532-2)

.125 (STD PC LEAD)  
.180 (LONG PC LEAD)

BLANK = MACHINED CONTACT  
 ES = FORMED CONTACT, GOLD PLATE, NOTE 1  
 ESL = FORMED CONTACT, LOW GOLD PLATE, 5 $\mu$ IN MAX

D = PC TAIL STANDARD

LSG STYLE AND TAIL CONFIGURATION

AG = INSULATOR  
 AR = INSULATOR WITH RAILS

(ALMOST RUN THE LENGTH UNDER THE INSULATOR INSIDE THE CONTACT ROWS, .075 REF HIGH & .045 REF WIDE)

THIS DRAWING IS A CONTROLLED DOCUMENT.		DIN R BROWN 06MAY04		Tyco Electronics Corporation Harrisburg, Pa 17105-3608	
DIMENSIONS: INCHES		CHK K WRIGHT 06MAY04		NAME: DIP SOCKET, 800 SERIES	
TOLERANCES UNLESS OTHERWISE SPECIFIED:		APVD K WRIGHT 06MAY04	PRODUCT SPEC		
0 PLC ± -		APPLICATION SPEC			
1 PLC ± -		SIZE: A1			
2 PLC ± -		CAGE CODE: 00779			
3 PLC ± -		DRAWING NO: 1437539-2			
4 PLC ± .005		RESTRICTED TO			
ANGLES ± -		CUSTOMER DRAWING			
MATERIAL: -		SCALE: 1:1			
FINISH: -		SHEET: 1 OF 4			
		REV: A			

# 800 SERIES MACHINED PREMIUM CONTACT PART NUMBER TABLE

COMMENTS	PLATING	C	B	A	FIG	AUGAT PART NO.	TYCO PART NO.
HIGH RETENTION		.895/.905	1.000	3.200	2	864-AG34D	5-1437538-4
-						864-AG12D	5-1437538-2
-						864-AG11D	4-1437538-8
-						864-AG10D	3-1437540-1
W/RAILS		.595/.605	.700	2.400	2	848-AR11D	4-1437538-6
HIGH RETENTION						848-AG34D	4-1437538-5
-						848-AG12D	4-1437538-4
-						848-AG11D	4-1437538-1
-		.595/.605	.700	2.100	2	848-AG10D	3-1437538-9
-						842-AG12D	3-1437538-8
-						842-AG11D	3-1437538-7
W/RAILS						840-AR11D	3-1437538-6
.180 PC LEAD		.595/.605	.700	2.000	2	840-AG44D	3-1437538-5
.180 PC LEAD						840-AG43D	3-1437538-4
HIGH RETENTION						840-AG34D	3-1437538-3
-						840-AG12D	3-1437538-2
-		.595/.605	.700	1.800	2	840-AG11D	3-1437538-0
-						840-AG10D	2-1437538-9
-						836-AG11D	2-1437538-7
S/B 2-1437528-4						832-AR12D	9-1437533-7
HIGH RETENTION		.595/.605	.700	1.600	2	832-AG38D	9-1437533-4
HIGH RETENTION						832-AG34D	2-1437538-5
-						832-AG12D	2-1437538-4
-						832-AG11D	2-1437538-2
-		.595/.605	.700	1.400	1	832-AG10D	2-1437538-1
W/RAILS						828-AR12D	6-1437538-9
W/RAILS						828-AR11D	1-1437538-6
.180 PC LEAD						828-AG44D	1-1437538-5
.180 PC LEAD		.595/.605	.700	1.400	1	828-AG43D	1-1437538-4
HIGH RETENTION						828-AG34D	1-1437538-3
-						828-AG12D	1-1437538-0
-						828-AG11D	0-1437538-4
-						828-AG10D	0-1437538-3

W/RAILS		.295/.305	.400	1.200	1	824-AR31D	0-1437538-1
W/RAILS		.595/.605	.700	1.200	1	824-AR11D	9-1437537-9
-		.395/.405	.500	1.200	1	824-AG66D	9-1437537-8
.180 PC LEAD		.295/.305	.400	1.200	1	824-AG47D	9-1437537-7
.180 PC LEAD		.595/.605	.700	1.200	1	824-AG45D	6-1437538-6
.180 PC LEAD		.395/.405	.500	1.200	1	824-AG44D	9-1437537-6
HIGH RETENTION		.595/.605	.700	1.200	1	824-AG34D	9-1437537-5
HIGH RETENTION						824-AG33D	8-1437539-2
HIGH RETENTION						824-AG38D	9-1437537-4
HIGH RETENTION						824-AG334D	9-1437537-3
-		.295/.305	.400	1.200	1	824-AG32D	9-1437537-2
-						824-AG31D	8-1437537-9
-						824-AG30D	8-1437537-7
-						824-AG14D	8-1437537-6
-		.395/.405	.500	1.200	1	824-AG12D	8-1437537-5
-						824-AG11D	8-1437537-2
-						824-AG10D	8-1437537-1
-						822-AG11D	7-1437537-8
-		.295/.305	.400	1.100	1	822-AG10D	7-1437537-7
W/RAILS						820-AR11D	7-1437537-6
.180 PC LEAD						820-AG45D	7-1437537-5
.180 PC LEAD						820-AG44D	7-1437537-4
.180 PC LEAD		.295/.305	.400	1.000	1	820-AG43D	7-1437537-3
HIGH RETENTION						820-AG34D	7-1437537-2
-						820-AG12D	6-1437537-9
-						820-AG11D	6-1437537-6
-		.295/.305	.400	.900	1	820-AG10D	6-1437537-4
.180 PC LEAD W/RAILS						818-AR44D	4-1437539-9
W/RAILS						818-AR11D	6-1437537-2
.180 PC LEAD						818-AG44D	6-1437537-1
HIGH RETENTION S/B 5-1437537-7		.295/.305	.400	.800	1	818-AG34D	5-1437538-8
-						818-AG12D	6-1437537-0
-						818-AG11D	5-1437537-7
-						818-AG10D	5-1437537-6
W/RAILS		.295/.305	.400	.800	1	816-AR11D	5-1437537-4
.180 PC LEAD						816-AG45D	5-1437537-3
.180 PC LEAD						816-AG44D	5-1437537-2
HIGH RETENTION						816-AG34D	5-1437537-1
HIGH RETENTION		.295/.305	.400	.800	1	816-AG33D	5-1437537-0
-						816-AG12D	4-1437537-6
-						816-AG11D	4-1437537-0
-						816-AG10D	3-1437537-7
.180 PC LEAD, W/RAILS S/B 3-1437537-3		.295/.305	.400	.700	1	814-AR44D	5-1437533-2
W/RAILS						814-AR11D	3-1437537-5
.180 PC LEAD						814-AG45D	3-1437537-4
.180 PC LEAD						814-AG44D	3-1437537-3
HIGH RETENTION		.295/.305	.400	.400	3	814-AG34D	3-1437537-2
-						814-AG33D	3-1437537-1
-						814-AG12D	2-1437537-9
-						814-AG11D	2-1437537-4
-		.295/.305	.400	.400	3	814-AG10D	2-1437537-1
W/RAILS						808-AR11D	1-1437537-9
.180 PC LEAD						808-AG45D	1-1437537-8
.180 PC LEAD						808-AG44D	1-1437537-7
HIGH RETENTION		.295/.305	.400	.300	-	808-AG43D	1-1437537-5
-						808-AG34D	1-1437537-4
-						808-AG12D	1-1437537-2
-						808-AG11D	0-1437537-8
-		.295/.305	.400	.300	-	808-AG10D	0-1437537-5
S/B 6-1437529-8						806-AG11D	2-1437533-5
S/B SUPERSEDED BY 6-1437529-5						806-AG10D	2-1437533-3

THIS DRAWING IS A CONTROLLED DOCUMENT.		DIN R BROWN	DEMAY04		Tyco Electronics Corporation Harrisburg, Pa 17105-3508	
DIMENSIONS: INCHES		CHK K WRIGHT	DEMAY04		APVD K WRIGHT	DEMAY04
 TOLERANCES UNLESS OTHERWISE SPECIFIED: 0 PLC ± - 1 PLC ± - 2 PLC ± - 3 PLC ± .005 4 PLC ± - ANGLES ± -		APPLICATION SPEC		SIZE: A1	CAGE CODE: 00779	DRAWING NO: 1437539-2
MATERIAL: -	FINISH: -	WEIGHT: -		CUSTOMER DRAWING	SCALE: 1:1	SHEET 2 OF 4



### 1000 SERIES MACHINED PREMIUM CONTACT, LOW INSERTION FORCE PART NUMBER TABLE

COMMENTS	PLATING	C	B	A	FIG	AUGAT PART NO.	TYCO PART NO.
S/B 4-1437538-8	△ <sub>6</sub>	.895/.905	1.000	3.200	2	1064-AG11D	2-1437529-4
S/B 3-1437540-1	△ <sub>5</sub>	.895/.905	1.000	3.200	2	1064-AG10D	2-1437529-3
S/B 3-1437538-0	△ <sub>6</sub>	.595/.605	.700	2.000	2	1040-AG11D	2-1437529-2
S/B 2-1437538-2	△ <sub>6</sub>	.595/.605	.700	1.600	2	1032-AG11D	2-1437529-1
S/B 1437538-4	△ <sub>6</sub>	.595/.605	.700	1.400	1	1028-AG11D	1-1437529-9
S/B 8-1437537-9	△ <sub>6</sub>	.295/.305	.400	1.200	1	1024-AG31D	1-1437529-8
S/B 8-1437537-2	△ <sub>6</sub>	.595/.605	.700	1.200	1	1024-AG11D	1-1437529-6
S/B 8-1437537-1	△ <sub>5</sub>	.595/.605	.700	1.200	1	1024-AG10D	1-1437529-5
S/B 6-1437537-6	△ <sub>6</sub>	.295/.305	.400	1.000	1	1020-AG11D	1-1437529-4
S/B 6-1437537-4	△ <sub>5</sub>	.295/.305	.400	1.000	1	1020-AG10D	1-1437529-3
S/B 5-1437537-7	△ <sub>6</sub>	.295/.305	.400	.900	1	1018-AG11D	1-1437529-2
S/B 5-1437537-6	△ <sub>5</sub>	.295/.305	.400	.900	1	1018-AG10D	1-1437529-1
S/B 4-1437537-0	△ <sub>6</sub>	.295/.305	.400	.800	1	1016-AG11D	1-1437529-0
S/B 3-1437537-7	△ <sub>5</sub>	.295/.305	.400	.800	1	1016-AG10D	0-1437529-9
S/B 2-1437537-4	△ <sub>6</sub>	.295/.305	.400	.700	1	1014-AG11D	0-1437529-7
S/B 2-1437537-1	△ <sub>5</sub>	.295/.305	.400	.700	1	1014-AG10D	0-1437529-6
S/B 1437537-8	△ <sub>6</sub>	.295/.305	.400	.400	3	1008-AG11D	0-1437529-5
S/B 1437537-5	△ <sub>5</sub>	.295/.305	.400	.400	3	1008-AG10D	0-1437529-4

### 1800 SERIES MACHINED PREMIUM CONTACT, LOW GOLD PART NUMBER TABLE

S/B 5-1437538-0	△ <sub>10</sub>	.895/.905	1.000	3.200	2	1864-AG111D	5-1437529-1
S/B 6-1437540-2 W/RAILS	△ <sub>10</sub>	.595/.605	.700	2.400	2	1848-AR111D	5-1437529-0
S/B 4-1437538-2	△ <sub>10</sub>	.595/.605	.700	2.100	2	1848-AG111D	4-1437529-9
S/B 2-1437540-4	△ <sub>10</sub>	.595/.605	.700	2.100	2	1842-AG111D	4-1437529-8
S/B 2-1437540-2 W/RAILS	△ <sub>10</sub>	.595/.605	.700	2.000	2	1840-AR111D	4-1437529-7
S/B 1-1437540-7	△ <sub>10</sub>	.595/.605	.700	2.000	2	1840-AG111D	4-1437529-6
S/B 1437540-3	△ <sub>10</sub>	.595/.605	.700	1.600	2	1832-AG111D	4-1437529-5
S/B 9-1437539-7 W/RAILS	△ <sub>10</sub>	.595/.605	.700	1.400	1	1828-AR111D	4-1437529-4
S/B 9-1437539-2	△ <sub>10</sub>	.595/.605	.700	1.400	1	1828-AG111D	4-1437529-3
S/B 3-1437540-9 W/RAILS	△ <sub>10</sub>	.295/.305	.400	1.200	1	1824-AR131D	4-1437529-2
S/B 8-1437539-6 W/RAILS	△ <sub>10</sub>	.595/.605	.700	1.200	1	1824-AR111D	4-1437529-1
S/B 8-1437539-4	△ <sub>10</sub>	.395/.405	.500	1.200	1	1824-AG141D	4-1437529-0
S/B 7-1437539-7	△ <sub>10</sub>	.295/.305	.400	1.200	1	1824-AG131D	3-1437529-9
S/B 7-1437539-0	△ <sub>10</sub>	.595/.605	.700	1.200	1	1824-AG111D	3-1437529-8
S/B 6-1437539-3	△ <sub>10</sub>	.395/.405	.500	1.100	1	1822-AG111D	3-1437529-7
S/B 5-1437539-8 W/RAILS	△ <sub>10</sub>	.295/.305	.400	1.000	1	1820-AR111D	3-1437529-6
S/B 5-1437539-3	△ <sub>10</sub>	.295/.305	.400	1.000	1	1820-AG111D	0-1437537-3
S/B 4-1437539-8 W/RAILS	△ <sub>10</sub>	.295/.305	.400	.900	1	1818-AR111D	3-1437529-5
S/B 4-1437539-4	△ <sub>10</sub>	.295/.305	.400	.900	1	1818-AG111D	3-1437529-3
S/B 3-1437539-5 W/RAILS	△ <sub>10</sub>	.295/.305	.400	.800	1	1816-AR111D	3-1437529-2
S/B 2-1437539-9	△ <sub>10</sub>	.295/.305	.400	.800	1	1816-AG111D	3-1437529-1
S/B 2-1437539-3 W/RAILS	△ <sub>10</sub>	.295/.305	.400	.700	1	1814-AR111D	3-1437529-0
S/B 1-1437539-7	△ <sub>10</sub>	.295/.305	.400	.700	1	1814-AG111D	2-1437529-9
S/B 1-1437539-1 W/RAILS	△ <sub>10</sub>	.295/.305	.400	.400	3	1808-AR111D	2-1437529-6
S/B 1437539-6	△ <sub>10</sub>	.295/.305	.400	.300		1808-AG111D	2-1437529-5
S/B 1437535-8	△ <sub>10</sub>	.295/.305	.400	.300		1806-AG111D	0-1437535-2

THIS DRAWING IS A CONTROLLED DOCUMENT.

DIMENSIONS: INCHES	TOLERANCES UNLESS OTHERWISE SPECIFIED:	DIN R BROWN	DEMAYD4		Tyco Electronics Corporation Harrisburg, Pa 17105-3508
0 PLC ± - 1 PLC ± - 2 PLC ± - 3 PLC ± .005 4 PLC ± - ANGLES ± -	MATERIAL - FINISH -	CHK K WRIGHT APVD K WRIGHT PRODUCT SPEC - APPLICATION SPEC - WEIGHT -	DEMAYD4 NAME SIZE CAGE CODE DRAWING NO RESTRICTED TO		DIP SOCKET, 800 SERIES
CUSTOMER DRAWING		A1 00779		SCALE 1:1 SHEET 4 OF 4 REV A	