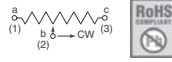


VISHAY Sfernice Single Turn Sealed Cermet Trimmer Potentiometers

TS53Y Series 4mm



FEATURES:

- Small size for optimum packing density • Suitable for both manual or automatic operation

ELECTRICAL SPECIFICATIONS:

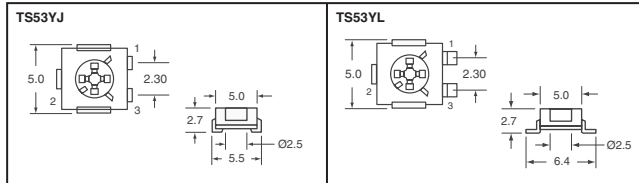
- **Resistive Element:** Cermet • **Electrical Travel:** 220° ±15° • **Tolerance (Standard):** ±20% • **Power Rating (Linear):** 0.25W @ 70°C • **Limiting Element Voltage:** 200V • **Contact Resistance Variation:** 1% or 3Ω • **End Resistance:** 0.1% or 3Ω typical • **Dielectric Strength (RMS):** 1000V • **Insulation Resistance:** 10⁹MΩ

MECHANICAL SPECIFICATIONS:

- **Mechanical Travel:** 270° ±10° • **Operating Torque:** 1.5Ncm maximum • **End Stop Torque:** 3.5Ncm maximum • **Unit Weight:** 0.15g maximum

ENVIRONMENTAL SPECIFICATIONS:

- **Temperature Range:** -55°C - 125°C • **Climatic Category:** 55/125/56 • **Sealing:** Sealed container



Resistance (Ω)	Digi-Key Part No.	Digi-Key Part No.	Cut Tape Pricing			Tape and Reel † Pricing
			5	10	100	
TS53YJ and TS53YL Series						
100	—	TS53YL-100CT-ND	4.89	8.48	76.61	265.50
200	TS53YJ-200CT-ND	TS53YL-200CT-ND	4.89	8.48	76.61	265.50
500	TS53YJ-500CT-ND	TS53YL-500CT-ND	4.89	8.48	76.61	265.50
1.0K	TS53YJ-1.0KCT-ND	TS53YL-1.0KCT-ND	4.89	8.48	76.61	265.50
2.0K	TS53YJ-2.0KCT-ND	TS53YL-2.0KCT-ND	4.89	8.48	76.61	265.50
5.0K	TS53YJ-5.0KCT-ND	TS53YL-5.0KCT-ND	4.89	8.48	76.61	265.50
10K	TS53YJ-10KCT-ND	TS53YL-10KCT-ND	4.89	8.48	76.61	265.50
20K	TS53YJ-20KCT-ND	TS53YL-20KCT-ND	4.89	8.48	76.61	265.50
50K	TS53YJ-50KCT-ND	TS53YL-50KCT-ND	4.89	8.48	76.61	265.50
100K	TS53YJ-100KCT-ND	TS53YL-100KCT-ND	4.89	8.48	76.61	265.50
200K	TS53YJ-200KCT-ND	TS53YL-200KCT-ND	4.89	8.48	76.61	265.50
500K	TS53YJ-500KCT-ND	TS53YL-500KCT-ND	4.89	8.48	76.61	265.50

† For Tape and Reel part number, change CT-ND to TR-ND.

VISHAY Spectrol Cermet Trimmers

064 Series, 3/8" Square (10mm) Multi-Turn

- **Electrical Specifications:** • **Electrical Travel:** 21 turns ±2 • **Tolerance:** Standard, ±10% • **Power Rating:** Linear, 0.5W at +70°C • **Limiting Element Voltage (Linear Law):** 250V • **Contact Resistance Variation:** 2% Rn or 1Ω • **End Resistance (Typical):** 1Ω • **Dielectric Strength (RMS):** 1000V • **Insulation Resistance (500 VDC):** 10⁹MΩ

- **Features:** • Industrial Grade • Tests according to CECC 41 000

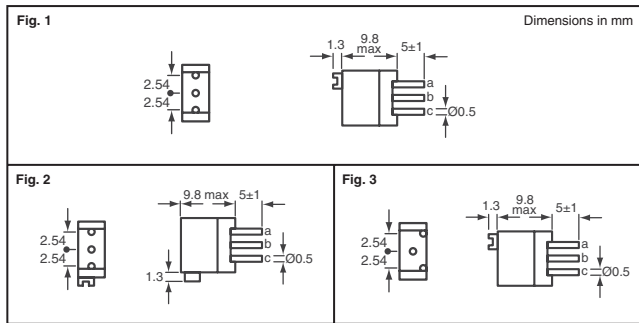


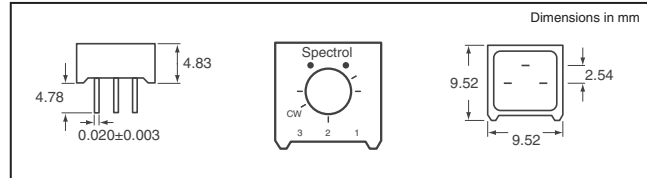
Fig.	Ω	Digi-Key Part No.	Price Each			Vishay Part No.
			1	25	50	
1	500	SP064W-500-ND	1.44	1.40	1.15	064W501
	1.0K	SP064W-1.0K-ND	1.44	1.40	1.15	064W102
	2.0K	SP064W-2.0K-ND	1.44	1.40	1.15	064W202
	5.0K	SP064W-5.0K-ND	1.44	1.40	1.15	064W502
	10K	SP064W-10K-ND	1.44	1.40	1.15	064W103
	20K	SP064W-20K-ND	1.44	1.40	1.15	064W203
	50K	SP064W-50K-ND	1.44	1.40	1.15	064W503
	100K	SP064W-100K-ND	1.44	1.40	1.15	064W104
	200K	SP064W-200K-ND	1.44	1.40	1.15	064W204

Fig.	Ω	Digi-Key Part No.	Price Each			Vishay Part No.
			1	25	50	
2	1.0K	SP064X-1.0K-ND	1.44	1.40	1.15	064X102
	5.0K	SP064X-5.0K-ND	1.44	1.40	1.15	064X502
	10K	SP064X-10K-ND	1.44	1.40	1.15	064X103
	100K	SP064X-100K-ND	1.44	1.40	1.15	064X104
3	1.0K	SP064Y-1.0K-ND	1.44	1.40	1.15	064Y102
	5.0K	SP064Y-5.0K-ND	1.44	1.40	1.15	064Y502
	10K	SP064Y-10K-ND	1.44	1.40	1.15	064Y103
	100K	SP064Y-100K-ND	1.44	1.40	1.15	064Y104

063 Series, 3/8" Square (10mm) Single-Turn

- **Electrical Specifications:** • **Effective Travel:** 270° Nominal • **Resistance Tolerance:** ±10% • **End Resistance:** 2Ω or 1%, whichever is greater • **Temperature Coefficient of Resistance:** 100 ppm/°C, 100Ω thru to 2MΩ, 0 to 250 ppm/°C below 100Ω • **Power Rating:** 0.5W at 70°C derated linearly to 0W at 125°C, Maximum Voltage not to exceed 300V • **Dielectric Withstanding Voltage:** 1000VAC at sea level, 250VAC at 80,000 feet (24,000 meters) • **Insulation Resistance (500 VDC):** 1000MΩ minimum • **Contact Resistance Variation:** 1% or 1Ω, whichever is greater

- **Features:** • Arrow and graduations for repeatable settings • "O" ring seal for solvent and aqueous washing • I.C. style pins for easy PCB assembly • Rigid board mounting achieved with pins secured in housing • Solder plated terminals for Good Solderability • High temperature soldered terminations for high reliability • Multi-finger wiper for better contact resistance • Solid end stop • Flame retardant housing to UL rated V0

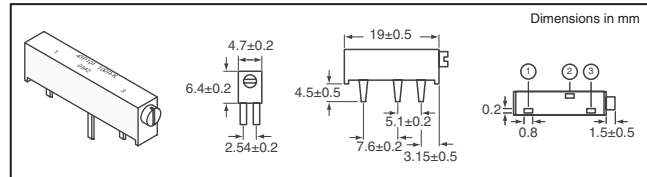


Ω	Digi-Key Part No.	Price Each			Vishay Part No.
		1	25	50	
1.0K	SP063-1.0K-ND	1.55	1.53	1.25	063P102
2.0K	SP063-2.0K-ND	1.55	1.53	1.25	063P202
5.0K	SP063-5.0K-ND	1.55	1.53	1.25	063P502
10K	SP063-10K-ND	1.55	1.53	1.25	063P103
20K	SP063-20K-ND	1.55	1.53	1.25	063P203
50K	SP063-50K-ND	1.55	1.53	1.25	063P503
100K	SP063-100K-ND	1.55	1.53	1.25	063P104
200K	SP063-200K-ND	1.55	1.53	1.25	063P204

043 Series, 3/4" Rectangular (19mm) Multi-Turn

- **Electrical Specifications:** • **Electrical Travel:** 15 turns ±1 • **Tolerance:** ±10% • **Power Rating:** 0.50W at +70°C • **Limiting Element Voltage (Linear Law):** 250V • **Contact Resistance Variation:** 2% Rn or 1Ω • **End Resistance (Typical):** 1Ω • **Dielectric Strength (RMS):** 1000V • **Insulation Resistance (500VDC):** 10⁹MΩ

- **Features:** • Chevron shaft for sealing and smooth consistent torque • Solder terminations for improved reliability • Multi-finger wiper for better C.R.V.

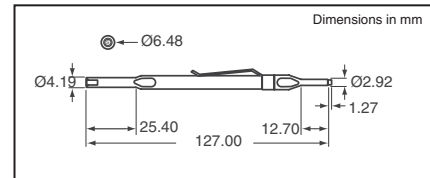


Ω	Digi-Key Part No.	Price Each			Vishay Part No.
		1	25	50	
1.0K	SP043-1.0K-ND	1.42	1.34	1.20	043P102
2.0K	SP043-2.0K-ND	1.42	1.34	1.20	043P202
5.0K	SP043-5.0K-ND	1.42	1.34	1.20	043P502
10K	SP043-10K-ND	1.42	1.34	1.20	043P103
20K	SP043-20K-ND	1.42	1.34	1.20	043P203
50K	SP043-50K-ND	1.42	1.34	1.20	043P503
100K	SP043-100K-ND	1.42	1.34	1.20	043P104
200K	SP043-200K-ND	1.42	1.34	1.20	043P204

Trimmer Adjustment Tool

- **Mechanical Specifications:** Material: Glass filled nylon body with corrosion resistant stainless steel blades

- **Features:** • Extended, as well as recessed blade for critical adjustments • Designed to adjust trimmers of all sizes



Digi-Key Part No.	Price Each				Vishay Part No.
	1	25	50	100	
SPTOOL-ND	1.00	.92	.85	.79	008T000

More Product Available Online: www.digikey.com

Toll-Free: 1-800-344-4539 • Phone 218-681-6674 • Fax: 218-681-3380